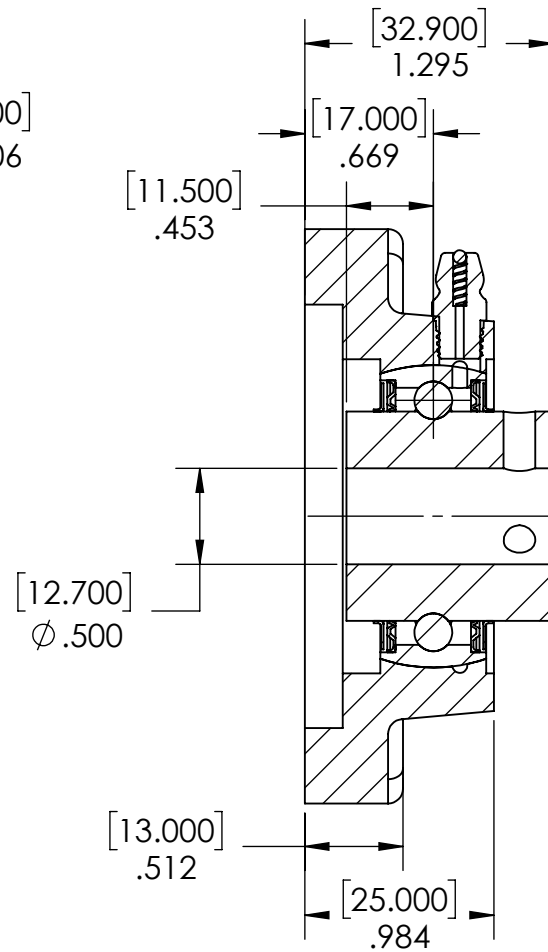


[10.300]
 4x ϕ .406



SECTION A-A

High Temp Bearings

TITLE:

1/2" UCF 4-BOLT FLANGE STANDARD DUTY MOUNTED BALL BEARING

SIZE	DWG. NO.	REV
A	UCF201-08	A

SCALE: NTS WEIGHT: 0.90LBS SHEET 1 OF 1